

MATERIAL

Glass-fibre reinforced polypropylene based (PP) technopolymer, grey-black colour, matte finish.

REVOLVING HANDLE

IEL+x-SOFT (see page 466) in technopolymer coated with "soft-touch" thermoplastic elastomer (TPE), black colour, matte finish.

STANDARD EXECUTION

Black-oxide steel hub, H7 reamed hole.
Rear flange with internal crown gear wheel in acetal resin based (POM) technopolymer. Black-oxide steel screw and anchor pin.

FEATURES AND APPLICATIONS

This steering handwheel has been designed to be mounted on control shafts of machines or equipment and especially for guiding lift trucks and handling vehicles.

ERGONOMY AND DESIGN

The lowered profile of the steering handwheel makes it suitable for flush mounting on the control panel, thus reducing protruding parts to a minimum.

INDICATOR CHOICE (TO BE ORDERED SEPARATELY)

The steering handwheel can be used with a position indicator type PA02 (see page 563), PA12 (see page 564) or PW12 (see page 565) to read steering positions. See also "Assembly instructions" for positive drive indicators (on page 556).

ACCESSORIES ON REQUEST

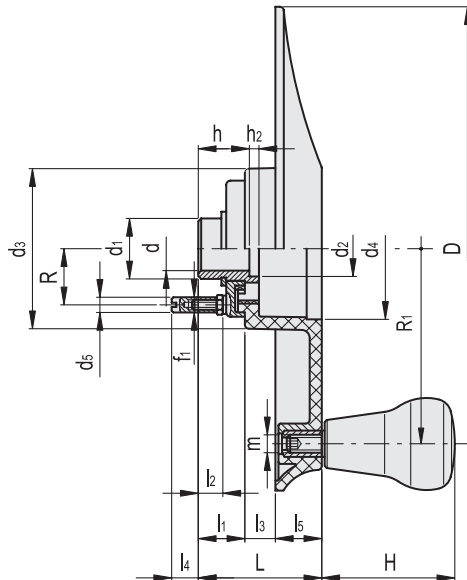
- Axial retaining washer type GN 184 (see page 799).
- Cover CP-XX (see page 581) for fitting instead of the indicator.

SPECIAL EXECUTIONS ON REQUEST

EWX-XX steering handwheel is suitable also for using with gravity indicators.



ERGOSTYLE® ELESA Original design



Conversion Table	
1 mm = 0.039 inch	
D	
mm	inch
240	9.45

- 1
- 2
- 3
- 4
- 5
- 6
- 7
- 8
- 9
- 10
- 11
- 12
- 13
- 14
- 15
- RH

Code	Description	D	L	dH7	h	d1	d2	d3	d4	d5	f1	h2	l1	l2	l3	l4	l5	H	m	R	R1	Δ
208141-C0	EWX.240-PXX2+IEL-A20-C0	240	59	20	24	30	25.5	79	68.5	6	M4	4	21	13	15	13	23	65	M10	28.5	97	810